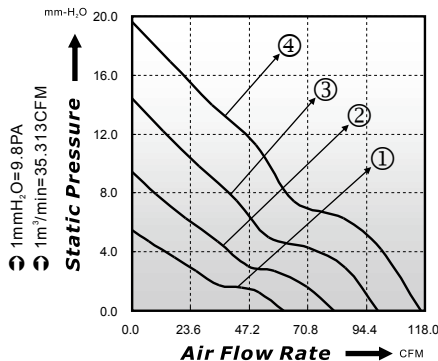


92x92x38mm

Model B

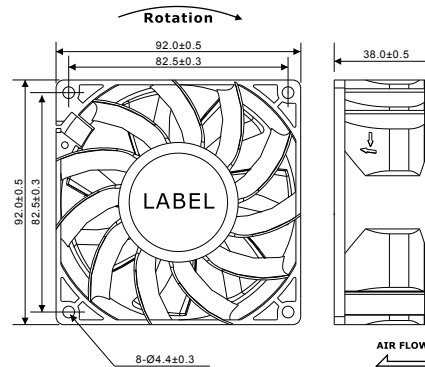


P-Q Curve (At Rated Voltage)



Dimensions Drawing

Unit: (mm)



Model No	Bearing (*)	Rated Voltage (VDC)	Rated Current (A)	Power Consumption (Watts)	Speed (rpm)	Air Flow (CFM)	Static Pressure (mmH ₂ O)	Noise (dBA)	Curve
ED09238-12LB	●	12	0.50	6.00	2800	61.07	5.46	41.40	1
ED09238-12MB	●	12	0.80	9.60	3600	81.25	9.41	47.60	2
ED09238-12HB	●	12	1.20	14.40	4400	99.00	14.40	52.80	3
ED09238-12HHB	●	12	1.60	19.20	5200	116.53	19.60	57.40	4
ED09238-24LB	●	24	0.35	8.40	3600	81.25	9.41	47.60	2
ED09238-24MB	●	24	0.50	12.00	4400	99.00	14.40	52.80	3
ED09238-24HB	●	24	0.80	19.20	5200	116.53	19.60	57.40	4
ED09238-48LB	●	48	0.25	12.00	3600	81.25	9.41	47.60	2
ED09238-48MB	●	48	0.35	16.80	4400	99.00	14.40	52.80	3
ED09238-48HB	●	48	0.50	24.00	5200	116.53	19.60	57.40	4

* Bearing Type: ○ Sleeve ● Two Ball ⊙ Hydro-Dynamic